

Customer \_\_\_\_\_

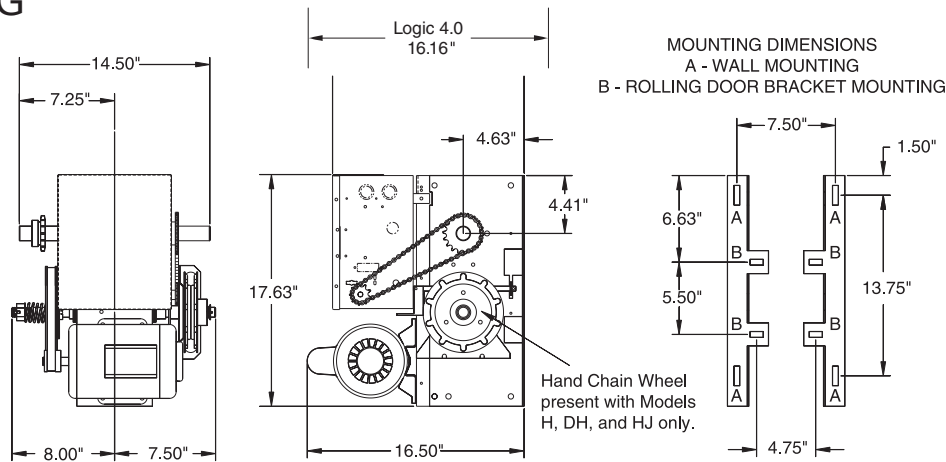
Project \_\_\_\_\_

Architect/Engineer \_\_\_\_\_

Contractor \_\_\_\_\_

Drawing Number \_\_\_\_\_ Date \_\_\_\_\_ Sheet \_\_\_\_\_ of \_\_\_\_\_

### SHOP DRAWING



### Specifications for Ordering

1) Supply \_\_\_\_\_ ( ) LiftMaster Operator(s) Model \_\_\_\_\_  
 \_\_\_\_\_ HP, \_\_\_\_\_ Volts, \_\_\_\_\_ Phase, \_\_\_\_\_ Hertz \_\_\_\_\_

2) For \_\_\_\_\_ wide x \_\_\_\_\_ high door(s) with \_\_\_\_\_

3) Supply \_\_\_\_\_ ( ) OPEN/CLOSE/STOP control station(s) in NEMA \_\_\_\_\_ enclosure per operator

4) Supply auxiliary and optional equipment as specified below (one per operator unless otherwise noted)

Additional Info

### Notes:

- 1) Refer to Model H product data sheet for general information
- 2) Refer to drawing \_\_\_\_\_ for wiring diagram

Manufactured by:  
 The Chamberlain Group, Inc.  
 845 Larch Avenue • Elmhurst, Illinois 60126  
**For More Information:**  
 call (800) 323-2276  
 visit [www.liftmaster.com](http://www.liftmaster.com) or  
<http://specs.liftmaster.com/architectscorner>

MOTOR AMPERAGE RATING					
HORSE POWER	VOLTAGE - PHASE - 60Hz				
	115-1Ø	230-1Ø	230-3Ø	460-3Ø	575-3Ø
1/3	6.6	3.3	2.2	1.0	0.8
1/2	8.2	4.1	2.2	1.0	0.8
3/4	11.2	5.6	2.9	1.4	1.2
1	13.6	6.8	3.4	1.7	1.4

# LiftMaster®

Commercial Door Operators